



## TRADITIONAL ENTRANCE DOOR

Viking Window AS is an Estonian company which started the production of wood windows and exterior doors in 1997. Today the company has become one of the leading manufacturers of wood and aluminum clad windows and doors. Its products are highly valued on the international market. In addition to the United Kingdom and Ireland, Viking Window products are sold to Sweden, Norway, Denmark, Iceland, France and Japan. Viking Window is renowned for the high quality of the products, customer service and short lead times. All products are made to measure from environmentally friendly materials sourced sustainably.



Since 2000 Viking Window AS quality management system complies with the ISO 9001 standard.

Since 2005 company's environmental management system complies with the ISO 14001 standard.



The mark of responsible forestry

Since 2007, we have the FSC Chain of Custody certificate which proves that we use timber from responsibly managed forests.



In 2009 compliance to Norwegian Door and Window standards was certified.

Viking Window manufactures both outward and inward opening traditional entrance doors, patio and balcony doors. Doors are made of solid wood profiles. Also available as aluminum clad door. Double glazing or insulated panels are used as infills. Thermal transmittance  $U_w = 1.4 \text{ W/m}^2\text{K}$ . It is possible to manufacture single or double leaf doors. Finishing according RAL, NCS (paint) or Vikings (lacquer) tone catalog by customer's choice preference. Closing system by Swedish lock manufacturer ASSA: hinges and three-point locking espagnolette. Patio and balcony doors have more simple locking system.



Inward opening wooden door



Inward opening aluminum clad door



Outward opening wooden door



Outward opening aluminum clad door

Illustrations below present the most popular door designs manufactured by Viking Window:



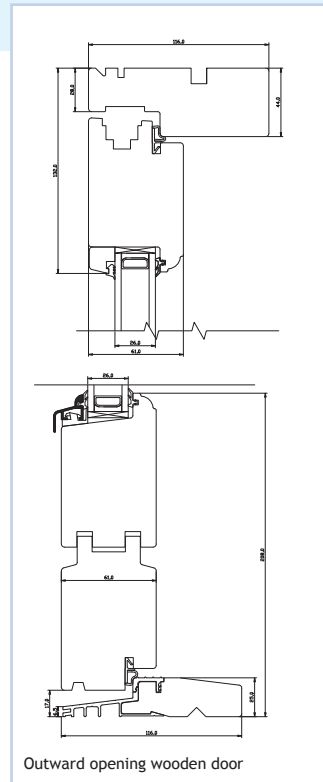
VU-1 VU-2 VU-3 VU-4 VU-5 VU-6 VU-7



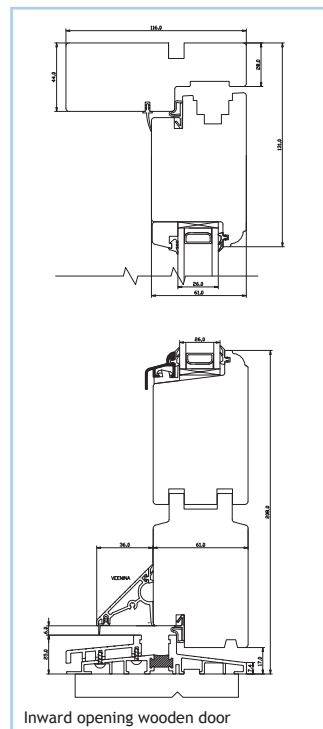
VU-8 VU-9 VU-10 VU-11 VU-12 VU-13 VU-14



VU-15 VU-16 VU-18



Outward opening wooden door



Inward opening wooden door

## Technical properties:

- Thermal transmittance:  $U_w = 1,4 \text{ W/m}^2\text{K}$ ;
- Sound insulation:  $R_w (C; C_{tr}) = 33 (-1; -4)$ ;
- Cross sections: frame  $44 \times 116 \text{ mm}$ ; leaf  $61 \times 99 \text{ mm}$ ; transom  $61 \times 99 \text{ mm}$ ; glazing bar  $50 \times 61$  or  $44 \times 61 \text{ mm}$ ;
- Pine wood with quality class A1-A3; oak - aluminum threshold or aluminum threshold  $25 \times 116 \text{ mm}$ ;
- Wooden profiles treated with water based preservative;
- Glazing or filler panels: double glazing ( $26 \text{ mm}$ ;  $U_g = 1,1 \text{ W/m}^2\text{K}$ );  $26 \text{ mm}$  veneer or MDF insulated panels;  $40 \text{ mm}$  wooden or MDF insulated panel;
- Hardware: ASSA hinges, Fix espagnolette, Fix or ASSA handle, RUKO or ASSA locks.



EN 14351-1:2006 + A1:2010

## Warranty

All products come with a five year warranty.

[www.viking.ee](http://www.viking.ee)

HEAD OFFICE AND PRODUCTION  
Mõo 72751 Järva County Estonia  
Phone +372 384 8900  
Fax +372 385 3027  
e-mail: [info@viking.ee](mailto:info@viking.ee)  
[www.vikingwindow.eu](http://www.vikingwindow.eu)